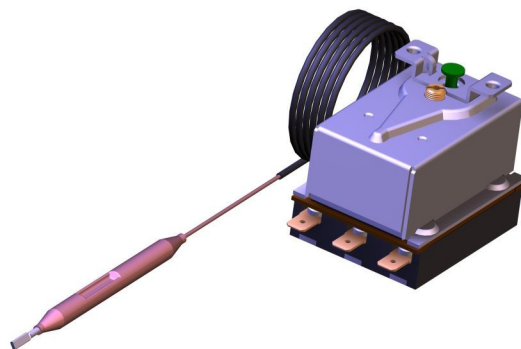


# Safety-limit thermostat

## Three pole switch



### Application

safety-limit thermostat with capillary, for applications up to 350°C.

### Features

Electro-mechanical safety limit thermostat, fail-safe. If cut-out temperature exceeded, circuit switches to OFF and stays at this position. Manual reset after sensing element has cooled by the switching differential

- Approved to EN 60 730-1 / -2-9
- Features of automatic action: Type 2.B.J.K.L according to EN 60 730-1 / -2-9
- Time factor of sensing element according to DIN EN 14597
- Degree of pollution: 2
- RoHS-conform

### Technical data

#### Switching system:

Nominal voltage range	AC 24...400 V
Nominal current range	20 (3,3) A
Service life at nominal load	500 operations
Protection against electric shock	for incorporation in class I equipment
Protection standard of housing	IP00 ( EN60529)
Overvoltage category	II

#### Range of application:

Cut-out temperatures $t_{max}$ : (Maximum values, other values on inquiry)	Up to 350°C
Max. sensing element temperature	$> t_{max} + 25^\circ\text{C}$
Ambiant temperature at switching head	max. 125 °C (T125)
Storage and transport temp.	-25...+60 °C

#### Calibration:

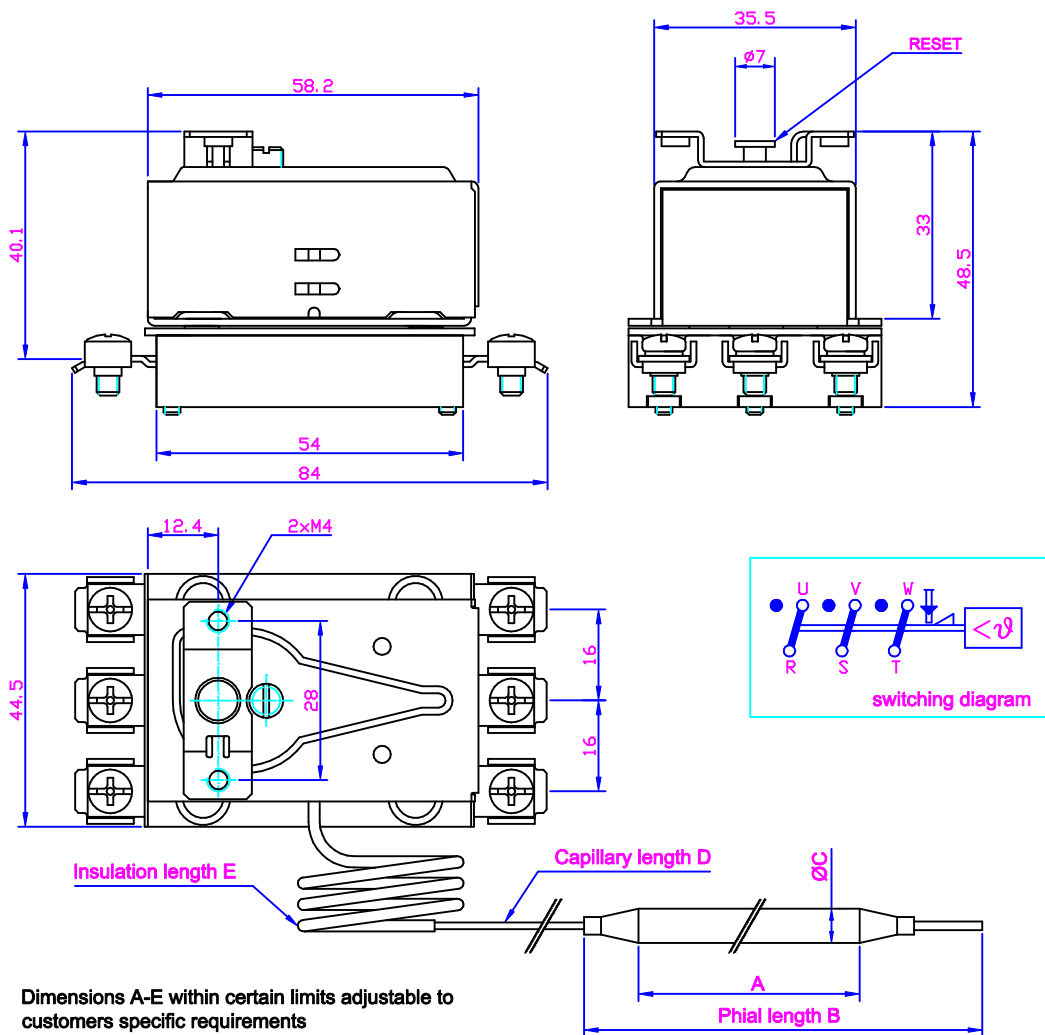
Calibrated for ambient temperature at switching head and capillary tube	23°C (Tu23 to DIN EN 14597)
Time factor in water / in oil	< 45 s / < 60 s

#### Design:

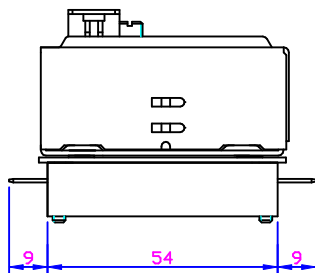
Switch system support (basic insulation)	plastic, GWT 850°C
Capillary und sensing element	copper / stainless steel
Capillary length	300 ... 3500 mm
Diameter of sensig element	6, 6.5 mm (3, 4, 5, 7, 8, 9.5, 10mm)
Diaphragm	stainless steel
Connection terminals	
Screw terminals	M4x8
Tab terminals (free combination)	A6.3x0.8, DIN 46 244 0°, 45°, 60°, 90°

### Examples

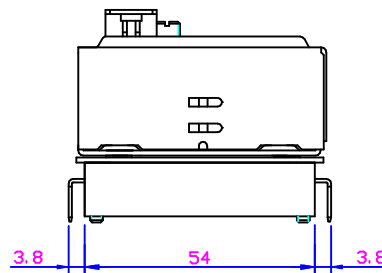
Cut-out temp. [°C]	Calibration tolerancez [K]	Thermal switching differential [K]	Max. sensing element temp. [°C]
110	0 - 6	~10	140
220	0 - 11	~20	250
350	0 - 16	~30	370



View with tab terminals 0°



View with tab terminals 90°



**Other products**

- RAC Combined three pole control / limit and safety-limit thermostat
- 88, 716 Single pole control / limit thermostat
- 89, 710 Single pole safety-limit thermostat