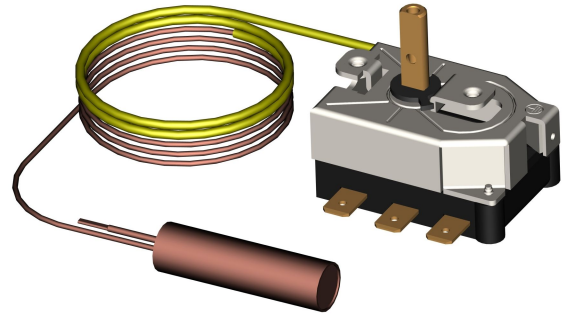


Type 8801-8804 Single-pole



Application

- Heater
- Cooker
- Storage heater
- High pressure cleaner
- Laboratory appliances

Features

Electro-mechanical control thermostat (TR) and temperature limiter (TW) with capillary sensor approved to EN60730-1/2-9

- Single-pole micro switch with on/off or changeover switch
- Optional: temperature compensated switching head
- Operation type 1B (EN60730-1/2-9)
- Environmental condition for normal pollution
- RoHS-conform

Technical data

Switching system:

Endurance class	100 000 operations	
Nominal voltage/current	1-2	1-4
	240 V AC 16 (2,6) A	4 (0.6) A
400 V AC	10 (1,6) A	2,5 (0.4) A
Protection against electric shock	For incorporation in class I equipment	
Protection standard of housing	IP00 (EN 60 529)	
Overvoltage category	II	

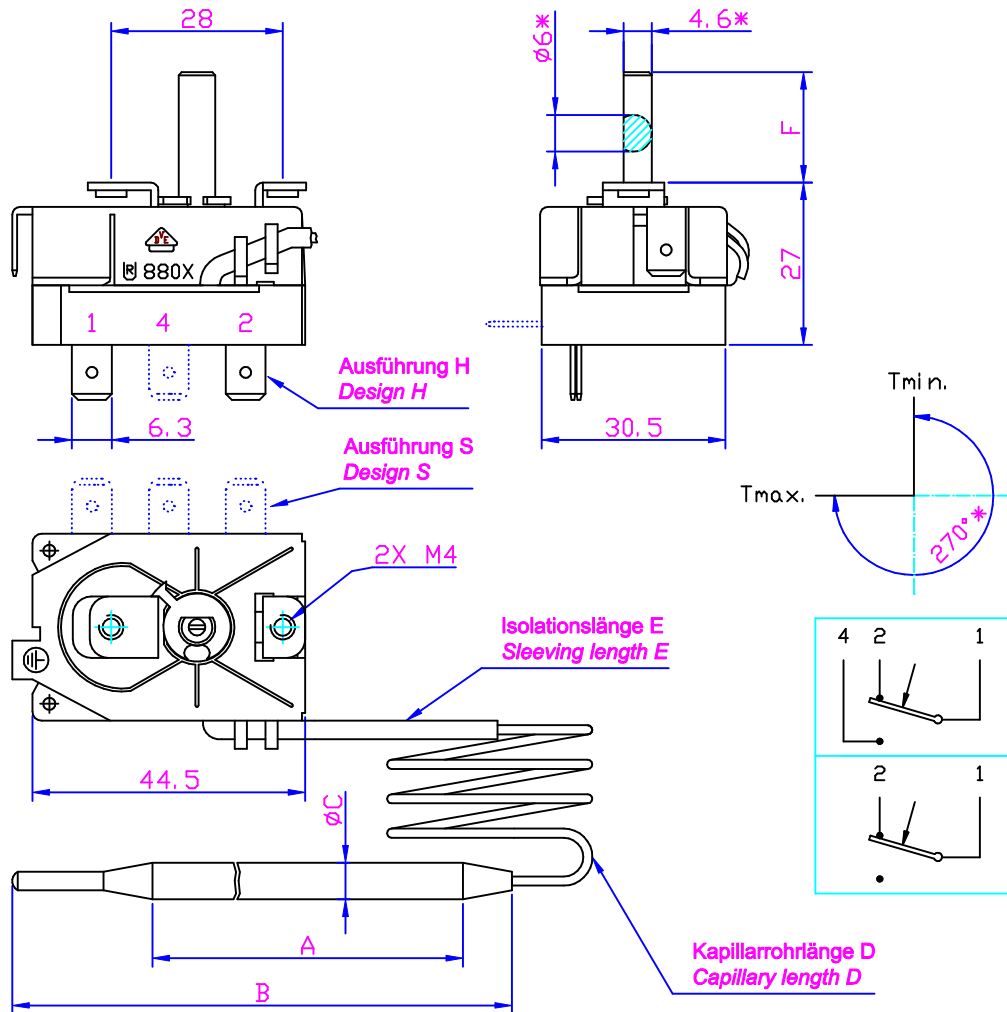
Range of application:

Setting ranges:	0 ... 320 °C
Ambiant temperature at switching head	max. 150 °C (T150)
Storage and transport temp.	-25...+60 °C

Design:

Capillary und sensing element	Copper / Stainless steel
Capillary length	300 ... 3500 mm
Phial forms	<ul style="list-style-type: none"> • round, diameter 3, 4, 5, 6, 6.5, 7, 8, 9.5, 10, 11, 12 mm • bulb, diameter 10, 15, 20, 23.5 mm • half-, third-, quater circle • dual phial
Diaphragm	stainless steel
Connection terminals	Tab terminal A6.3x0.8 according to DIN46244, bent or straight
Earthing terminal	Tab terminal A6.3x0.8 according to DIN46244

Temperaturregler Typ 8801 - 8804 Control thermostat type 8801 - 8804



Typ Type	Anwendung Application	Temperaturbereich * Temperature range *	max. Fühlertemperatur max. phial temperature
8801	Raumthermostat Space heating	0° C - 40° C	50° C
8802	Heizkessel, Wärmekammern Waterheater, Hotrooms	35° C - 95° C	110° C
8803	Heizgeräte Process heating	70° C - 250° C	280° C
8804	Herde, Backöfen Catering equipment	50° C - 320° C	330° C

Temperaturbereich und Schaltdifferenz sowie Abmessungen A - F und die mit * gekennzeichneten Maße sind nach Kundenwunsch in Grenzen veränderbar.

Temperature range and temperature differential as well as the dimensions A - E and marked with * within certain limits adjustable to customers specific requirements.